

1 CANOPY PLAN

Scale: 1" = 1'-0"

Canopy Type:

Architect:

Drawn:

Mapes  
Architectural  
Canopies

7748 N. 56th St.  
Lincoln, NE. 68514-9724  
Ph: (888) 273-1132  
Fx: (877) 455-6572  
email: cad@mapes.com

Proposed for:

( )

Job Name:

/

PO # dtd  
MQ #

Rep:

sheet:

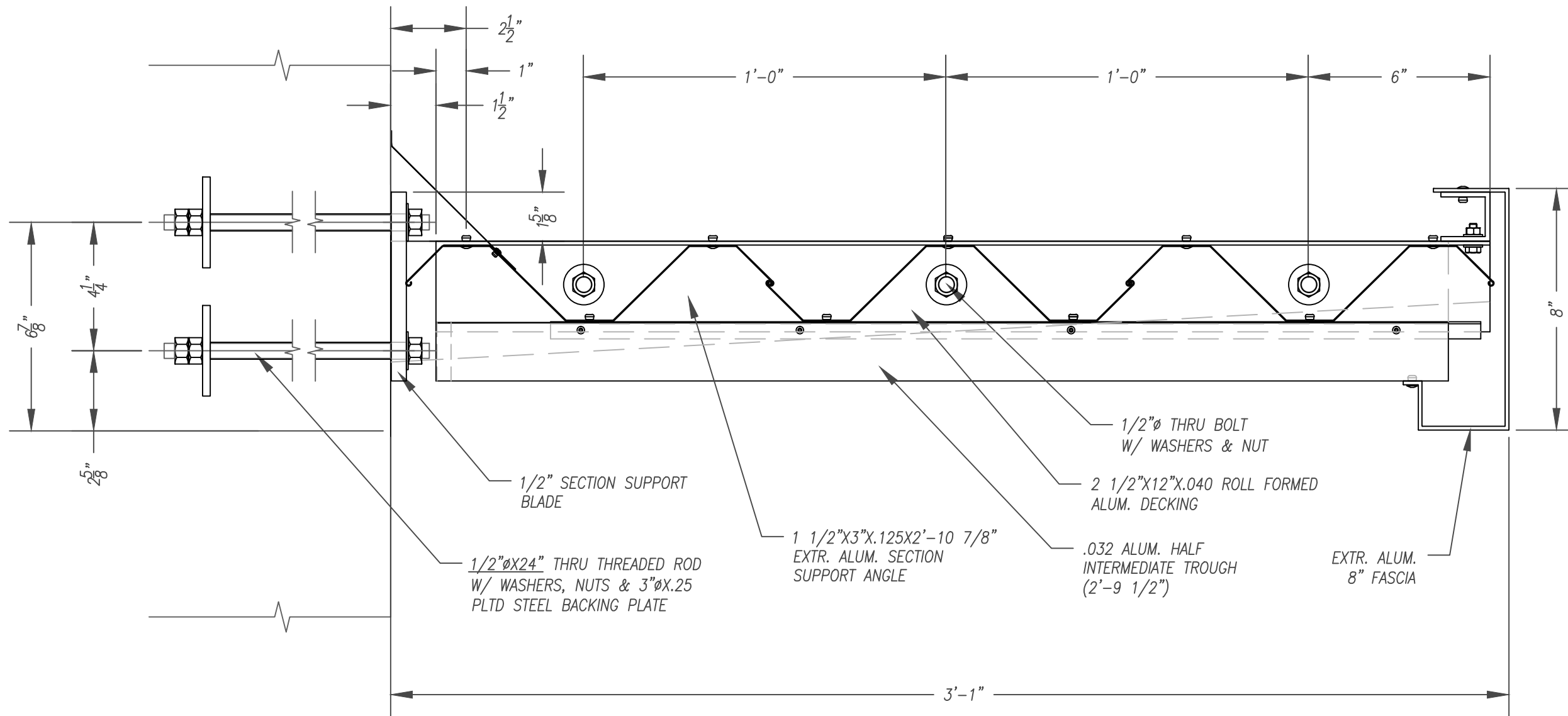
01

Apr. 27, 16

1" = 1'-0"

of 4

ADDITIONAL BLOCKING AND BRACING AT CANOPY CONNECTION POINTS TO ADEQUATELY HANDLE CANOPY LOADS TO BE SUPPLIED, FABRICATED & INSTALLED BY OTHERS



AA

SECTION @ HANGER BLADE

Scale: 3" = 1'-0"

Canopy Type:

Architect:


Drawn:

**Mapes Architectural Canopies**

7748 N. 56th St.  
Lincoln, NE. 68514-9724  
Ph: (888) 273-1132  
Fx: (877) 455-6572  
email: cad@mapes.com

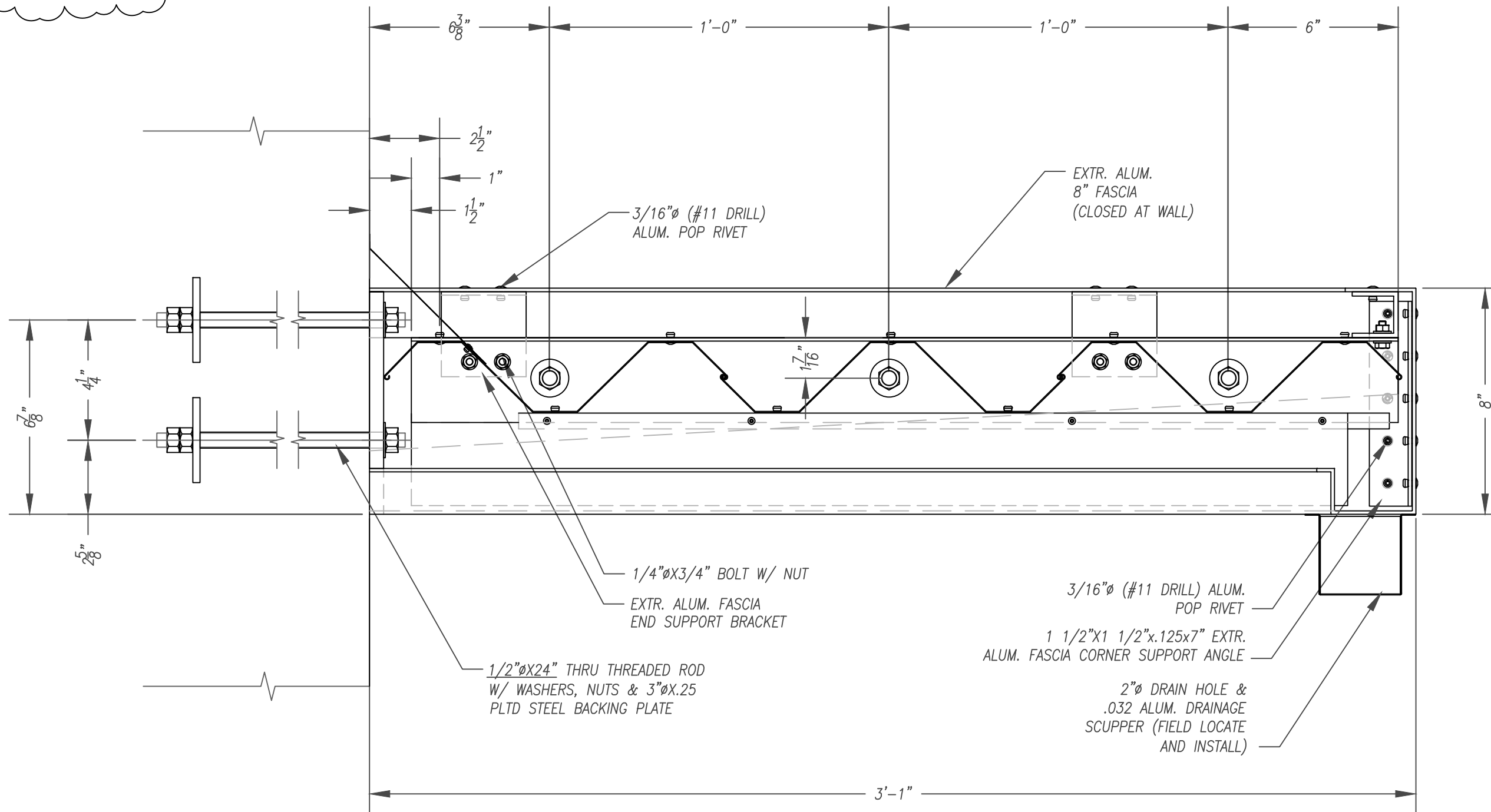
Proposed for:  
( )

Job Name:  
/

PO # dtd  
MQ # Rep:

	sheet:
Apr. 27, 16	02
3" = 1'-0"	of 4

ADDITIONAL BLOCKING AND BRACING AT CANOPY CONNECTION POINTS TO ADEQUATELY HANDLE CANOPY LOADS TO BE SUPPLIED, FABRICATED & INSTALLED BY OTHERS



**BB** SECTION @ END CANOPY

Scale: 3" = 1'-0"

Canopy Type:

Architect:

Drawn:

**Mapes Architectural Canopies**

7748 N. 56th St.  
Lincoln, NE. 68514-9724  
Ph: (888) 273-1132  
Fx: (877) 455-6572  
email: cad@mapes.com

Proposed for:

( )

Job Name:

/

PO # dtd  
MQ #

Rep:

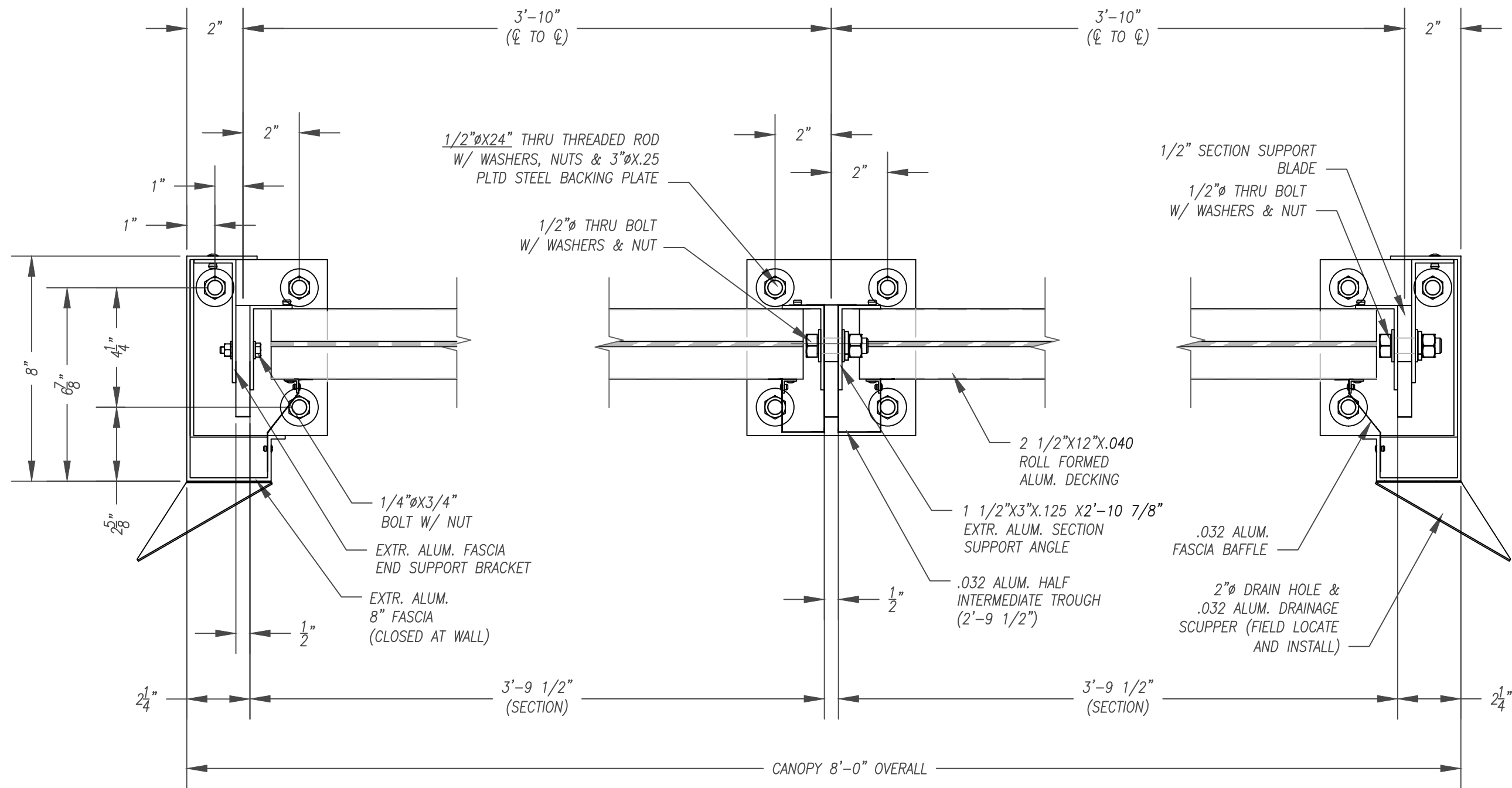
sheet:

03

Apr. 27, 16

3" = 1'-0"

of 4



CC

TRANSVERSE SECTION

Scale: 3" = 1'-0"

Canopy Type:

Architect:

Drawn:

Mapes  
Architectural  
Canopies

7748 N. 56th St.  
Lincoln, NE. 68514-9724  
Ph: (888) 273-1132  
Fx: (877) 455-6572  
email: cad@mapes.com

Proposed for:

( )

Job Name:

/

PO # dtd  
MQ #

Rep:

sheet:

04

Apr. 27, 16

3" = 1'-0"

of 4